

LDT21 Series

# Sit-Stand Workstation Compatible Monitor Arms

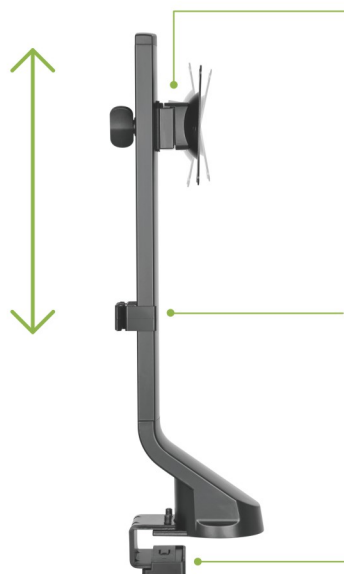
**LUMI**  
ergo



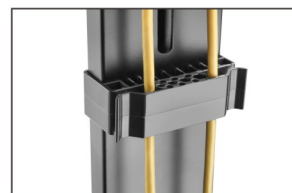
Provide  
**extra height  
adjustment range**

for flat surface  
sit-stand workstations

Extra **260-450mm (10.2"-17.7")**  
Height Adjustment Range



**Detachable VESA Plate**  
enables easy installation.



**Cable Management**  
keeps everything organized.



**Clamp & Grommet Installation**  
accommodates more users.

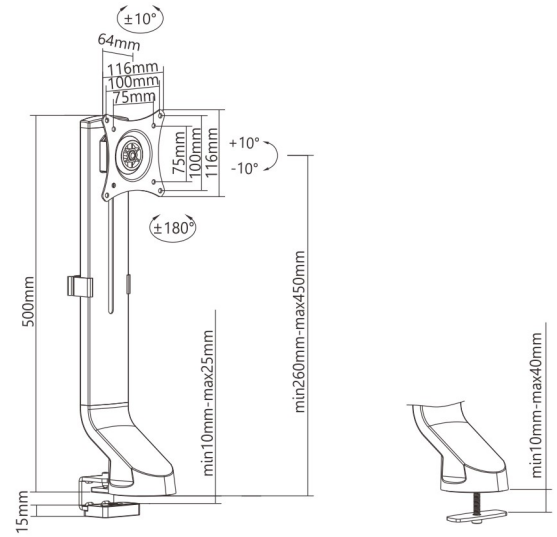
# LDT21 Series

## Sit-Stand Workstation Compatible Monitor Arms



### LDT21-C01

- Screen Size **17" ~ 32"**
- VESA Compatible **75x75 100x100**
- Screen Rotation **360°**
- Tilt Range **+10° ~ -10°**
- Swivel Range **+10° ~ -10°**
- Weight Capacity **8kg/17.6lbs**
- Cable Management



### LDT21-C02

- Screen Size **17" ~ 27"**
- VESA Compatible **75x75 100x100**
- Screen Rotation **360°**
- Tilt Range **+10° ~ -10°**
- Swivel Range **+10° ~ -10°**
- Weight Capacity **7kg/15.4lbs**
- Cable Management

